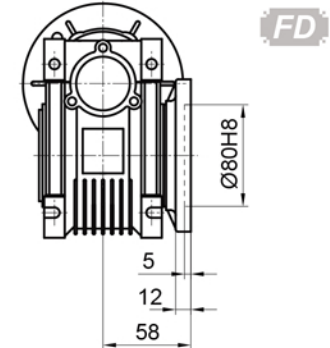
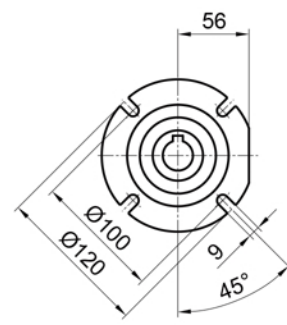
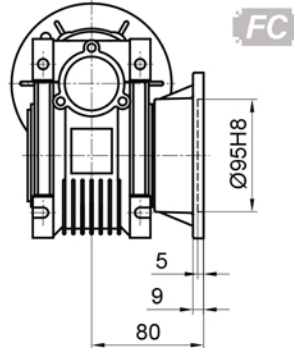
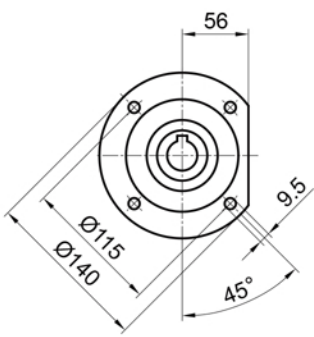
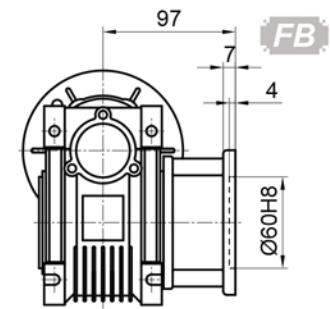
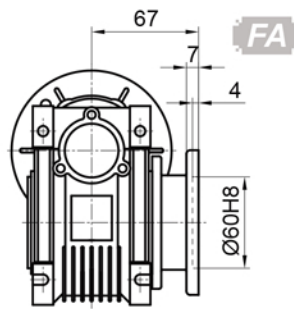
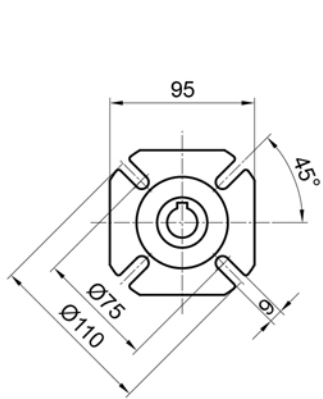
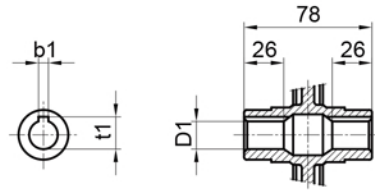
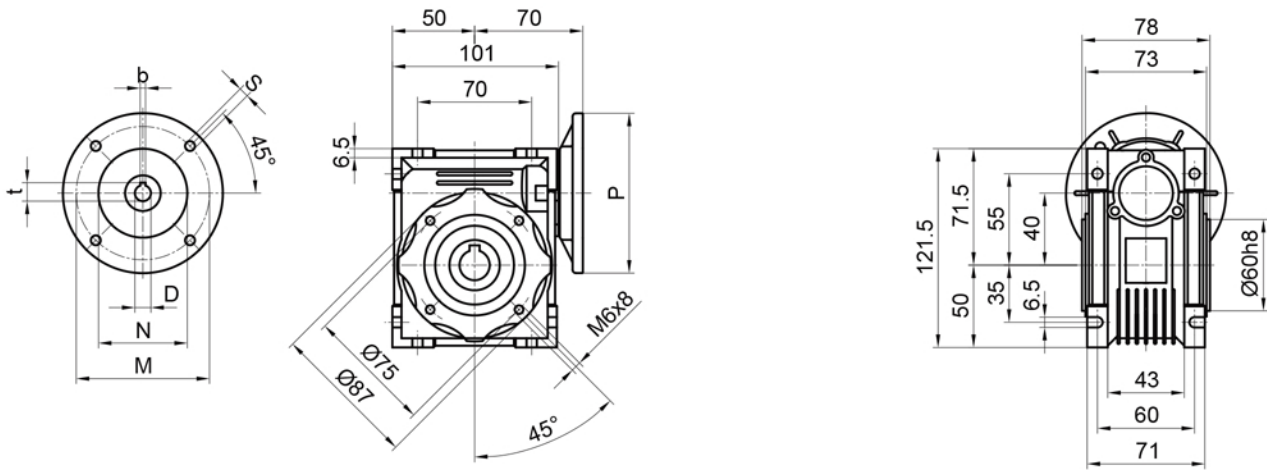


SV040



| PAM<br>IEC | D <sub>EB</sub> | b | t    | P   | M   | N  | S   | Output | D <sub>1H8</sub> | b1 | t1 |
|------------|-----------------|---|------|-----|-----|----|-----|--------|------------------|----|----|
|            |                 |   |      |     |     |    |     |        | 71B5             | 14 | 5  |
| 71B14      | 14              | 5 | 16.3 | 105 | 85  | 70 | 6.5 |        |                  |    |    |
| 63B5       | 11              | 4 | 12.8 | 140 | 115 | 95 | 9   |        |                  |    |    |
| 63B14      | 11              | 4 | 12.8 | 90  | 75  | 60 | 6   |        |                  |    |    |
| 56B5       | 9               | 3 | 10.4 | 120 | 100 | 80 | 6.5 |        |                  |    |    |

(...) Only on request

\*Weight without motor ≈2.3kg